



3 Axis Digital Servo Motor Operation with High Speed

NEXiA-WSeries

NEXIA-600SW~3000SW



3 Axis Digital Servo Motor Operation with High Speed

Take-out Robot **NEXiA-W Series**

Easy and Flexible Controller with Smart Technology

Features

- **Molding Machine** : 300 ~ 4000 tons
- **Servo Axis** : Max 5 Axis
- **Guide** : High Strength Linear Motion Guide
- **Vertical** : Telescopic
- **Controller** : HYNC-700 (Body Attached control box)

Standard Specification

* 4 Basic Operation step

1. Wait Positon
 2. Take Out Position
 3. Rotation Position
 4. Release Positon
- Easy to add additional step between step up to 80.
 - Easy to add valve operation between step to operate , Suction , Gripper
 - Easy to add User input/output between step to communicate with 2ndary operation

- Ejector Forward Control : Use / No Use
- Ejector Bacward Control : Use / No Use
- J Motion : Use / No Use
- SPI Interface : Euromap 12 Version
- Conveyor Operation Signal
- Stacking Program
- Interlayer Program
- Insert Molding Program

Optional Feature

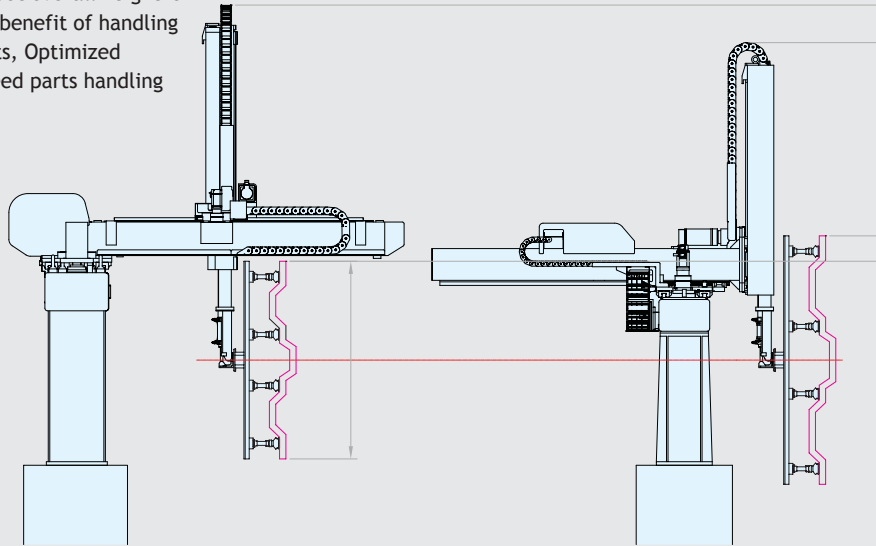
- Robot Nipper installation (No Use or Use)
- External Nipper equipment Installation
(No Use, in Robot, External 1 or External 2)



HYNC-700 Controller

- Simplified Motion Controller for Sophisticated Injection Molding Robot Automation using color touch screen, servo Jog Button and playback step by step motion controller.
- HYNC-700 Control will allow easy plant automation and minimize set up time and thus maximize profit with HY Robotics servo Robots.

NEXIA-W Series (Robot overall height is minimized ,also has benefit of handling for long molded parts, Optimized design with High speed parts handling for large machine.)



Machine Specification

Power source	Driving method	Control method	Normal Air pressure	Maximum air pressure	Posture
AC220V (50/60Hz)	Digital Servo Motor	Micro Computer	0.59MPa	0.79MPa	90°

Type	Traverse Stroke mm (inches)	Vertical Stroke mm (inches)	Kick Stroke mm (inches)	Electric Consumption	Air Consumption (normal)/cycle	Maximum payload kg (lbs)
NEXIA-600SW	2000 (78.7)	1300 (51.2)	800 (31.5)	Single Phase AC220V 11.8A	8	10 (22)
NEXIA-800SW	2500 (98.4)	1600 (63.0)	900 (35.4)	Single Phase AC220V 13.7A	10	15 (33)
NEXIA-1000SW	3000 (118.1)	1800 (70.9)	900 (35.4)	Single Phase AC220V 13.7A	10	15 (33)
NEXIA-1300SW	3500 (137.8)	1800 (70.9)	1200 (47.2)	3 Phase AC200V 17.7A	19	20 (44)
NEXIA-1800SW	3500 (137.8)	2100 (82.7)	1200 (47.2)	3 Phase AC200V 17.7A	19	20 (44)
NEXIA-2000SW	3500 (137.8)	2100 (82.7)	1500 (59.1)	3 Phase AC200V 23.5A	27	40 (88)
NEXIA-2500SW	4000 (157.5)	2500 (98.4)	1500 (59.1)	3 Phase AC200V 31.4A	30	50 (110)
NEXIA-3000SW	4000 (157.5)	3000 (118.1)	2000 (78.7)	3 Phase AC200V 25.5A	100	80 (176)

* Above Spec is Standard Products

* All the information can be changed without notice for quality improvements



HYROBOTICS CORP.

5988 Mid Rivers Mall Dr. Saint Louis, MO 63304 USA

T E L: 1-636-578-6059

FAX : 1-866-232-5594

www.hyrobots.com